



**YZPST**

# **Brief Introduction**

# CONTENTS

1、 Company over view

2、 Products and Solution

3、 R&D

4、 Manufacturing

5、 Sales

6、 Enterprise Cultre



# 1、 Company over view

# Company over view

## **A professional ferrite and magnetics components manufacturer**

- Focused in magnetics components design and manufacturing.
- The chain from ferrite material to finished components.
- Most advanced automatic producing line and strong producing capability
- Total solution supporting of the magnetics components.



## The Brands

YZPST®

Since 2004



®



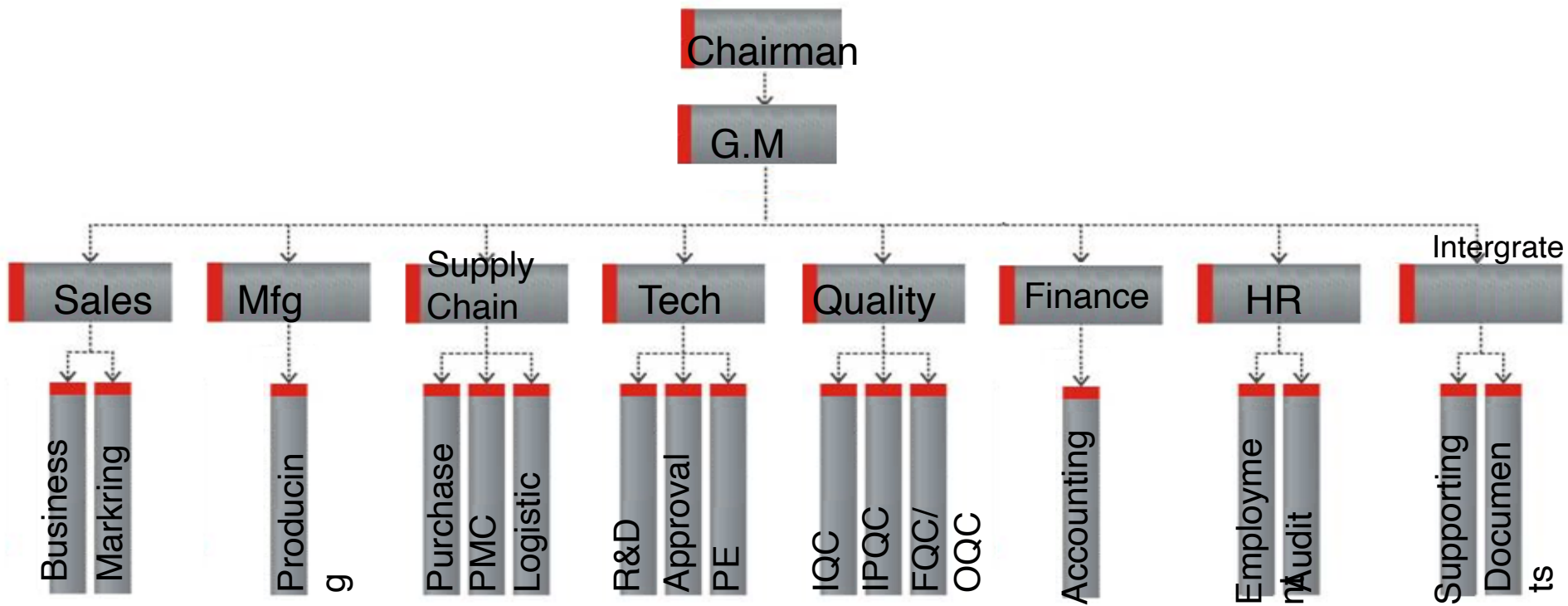
Since 2001



YZPST.

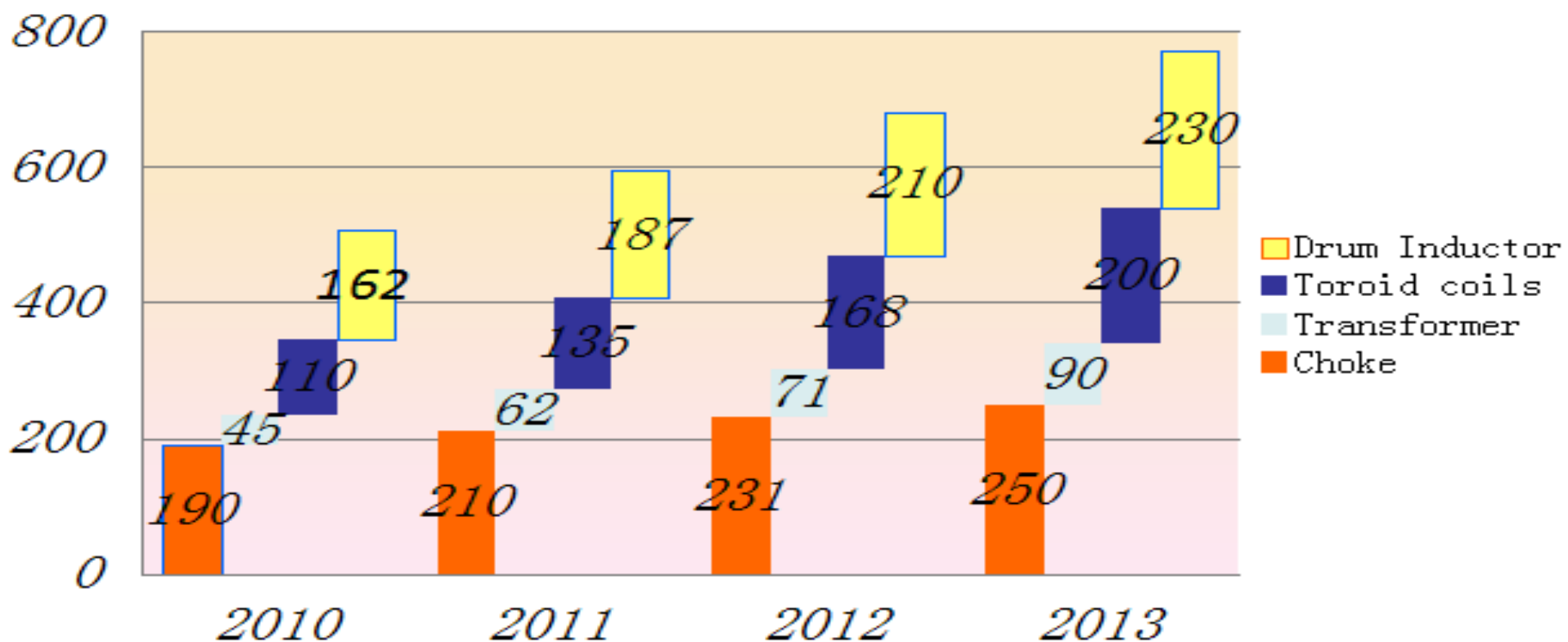
YANGZHOU POSITIONING TECH CO.,LTD

# Management



# Developing

Capability Unit: 1 million pcs



# The Strategy

**Provide The Most Available Magnetic Components for Global Customers**

**YZPST** key value is KEEP IMPROVING; key capability is **INNOVATION**.

We design parts as the customer need, provide the most reliable components and excellent service, support the continually cost down to the customer.

Keep growing and enlarging the automatic manufacturing platform.

← ||| **Main Strategy** ||| →

Close with the customer in most advanced magnetics components technology.





## 2、 Products & Solutions

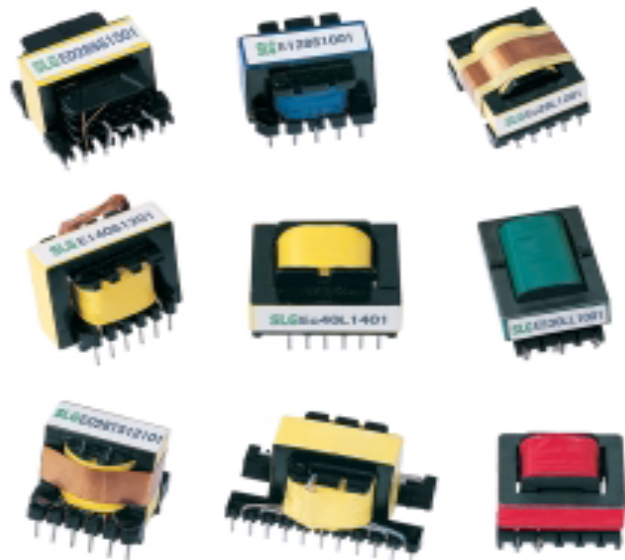
# Switch Mode Power Transformer

## Feature

- ◆ Frequency: 25 – 500kHz
- ◆ Power: 10 – 500W
- ◆ Low Leakage
- ◆ Low PL, EMC
- ◆ Core: EE、EI、EF、ER、EDR、EFD、PQ、RM ...
- ◆ Material: Ferrite ,Sendust, Amorphous...
- ◆ Assembly: As the customer design

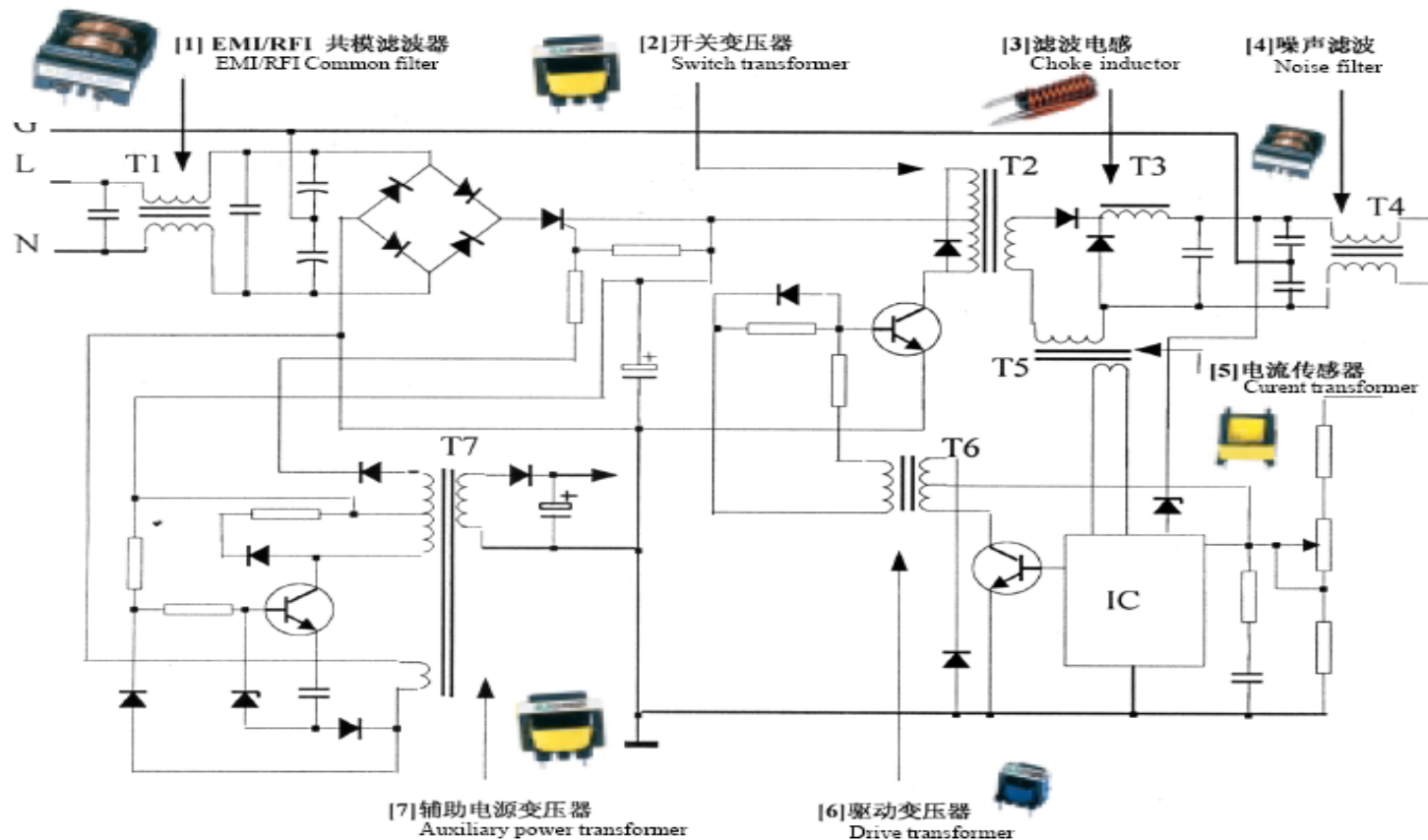
## Application

- ◆ The Power Supply: DC-DC、AC-DC-AC、DC-AC、UPS ...
- ◆ The Circuit: single ended forward/flyback、push-pull、half bridge/full bridge...
- ◆ IT, Telecom, PC, Medical, OA, TV, SOLAR, INDUSTRIAL...



# Typical Application

# Switch Mode Power Transformer



# Common Mode Filter

## Feature

- ◆ Frequency: 0.1-20MHz
- ◆ High permeability MnZn ferrite,
- ◆ Good noise filter
- ◆ Core: U F 、 E E 、 F T 、 E T 、 T...

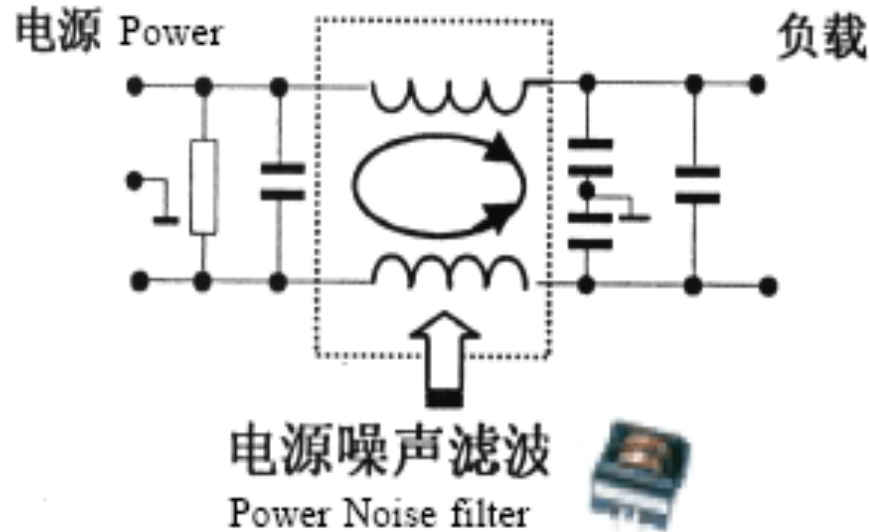
## Application

- ◆ High Frequency Power Supply
- ◆ IT, Telecom, PC, Medical, OA, TV, Lighting.



# Common Mode Filter

Typical  
Application  
CM/DM Filter



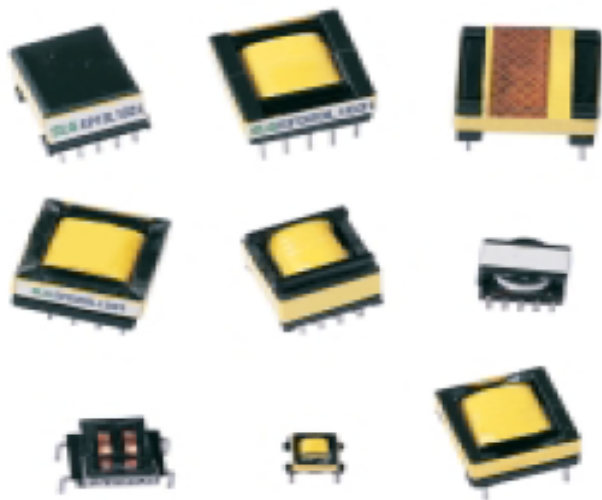
# Telecom、 Network Transformer and Inductor

## Feature

- ◆ UL Certificated
- ◆ Design under T 1 . 4 1 3
- ◆ Working Temp: - 4 0 °C— 8 5 °C
- ◆ Different Dip Mode
- ◆ Design As Customer Need

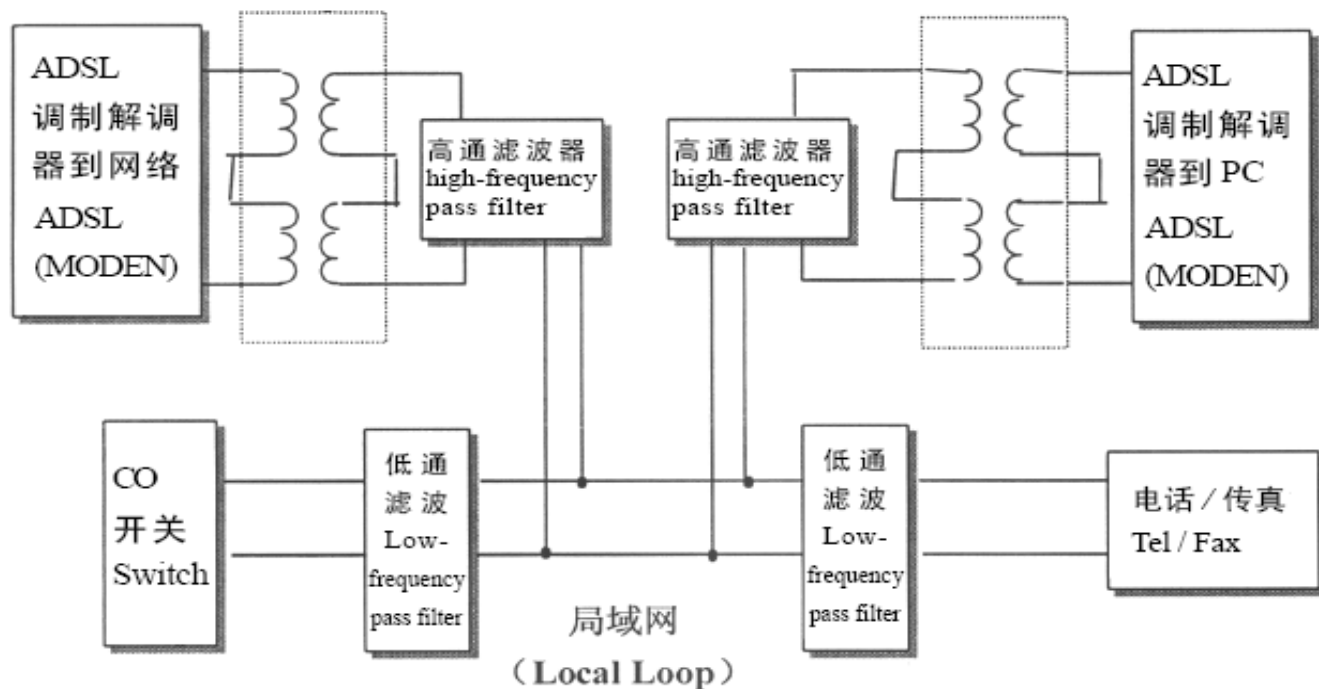
## Application

- ◆ Insulated Transformer (Signal) ; Filter (DM)
- ◆ LAN,Networking



# Telecom、Network Transformer and Inductor

Typical Application



# Solution For Lighting



## Feature

- ◆Frequency:20--100kHz(160kHz)
- ◆Power:3-11W、 11-20W、 20-40W、 70-250W
- ◆High effi、 low leakage、 low PL,EMC
- ◆Core: EE、 EI、 RM、 EDR、 EP、 EFD、 PQ、 T 、 DR...
- ◆Material: MnZn, NiZn,Iron Powder
- ◆Assembly: Custom Design

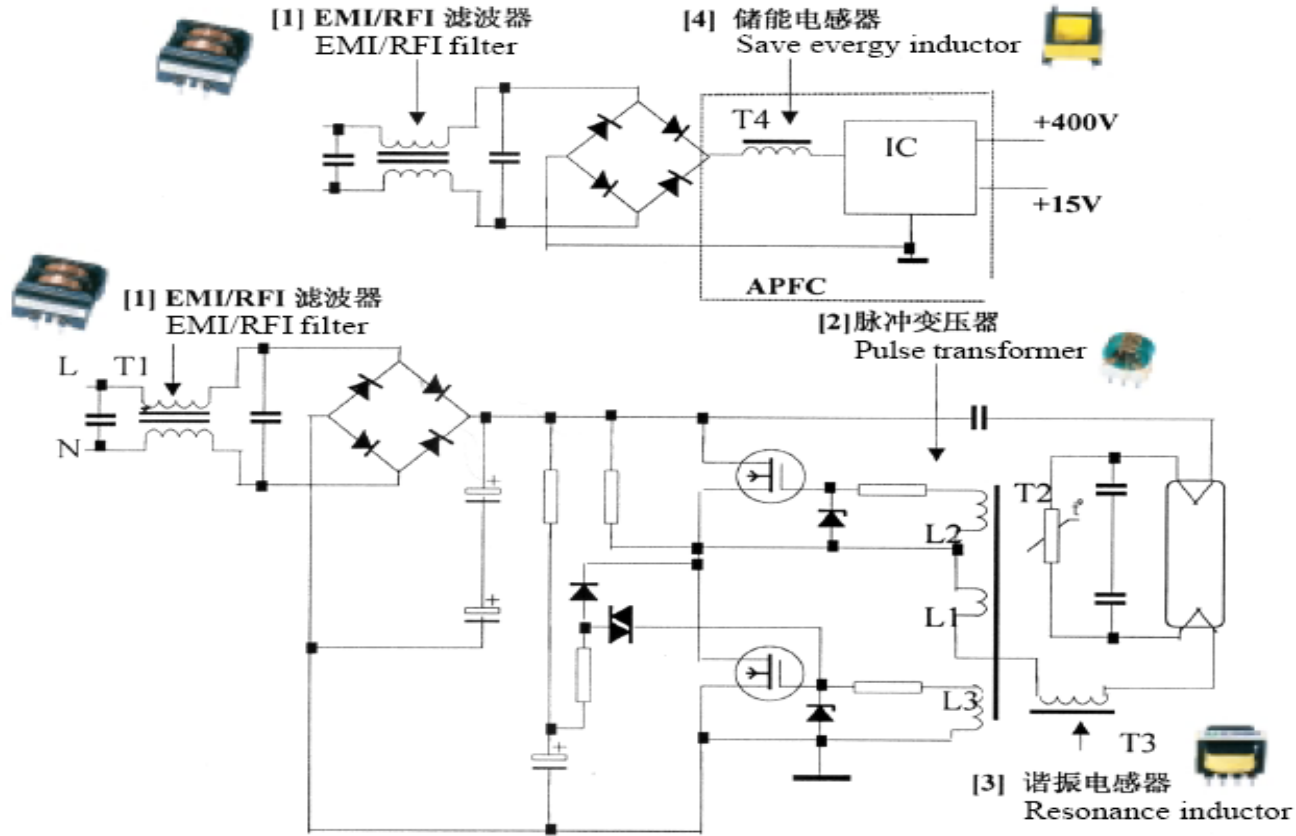
## Application

- ◆Choke coils,filter,transformer...
- ◆CCFL,Ballast
- ◆LED lighting



# Typical Application

## Solution For Lighting



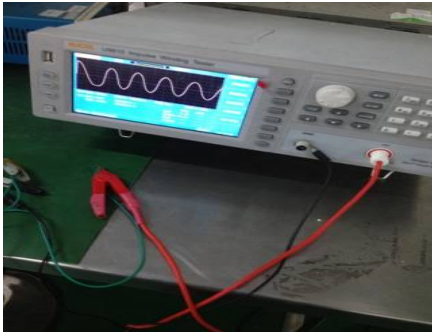


## 3、 R&D

# R&D、Technology



- ◆ **YZPST** has the most experienced engineering technical team and the lab for the components design.
- ◆ Continually invest in R&D to keep the advantage in winding magnetic components.
- ◆ Co-cooperation with the famous University in material research and new industrial application.



**Innovation is the spirit**

# Certification Quality Guarantee

YZPST providing reliable ,safety and green components.



ISO9001 : 2008



UL Safety (System, Material)



RoHS (Components、Material)



## 4、 Manufacturing

# High Efficiency Manufacturing

**YZPST** keep the high efficiency manufacturing : FAST, AUTOMATIC

Ferrite

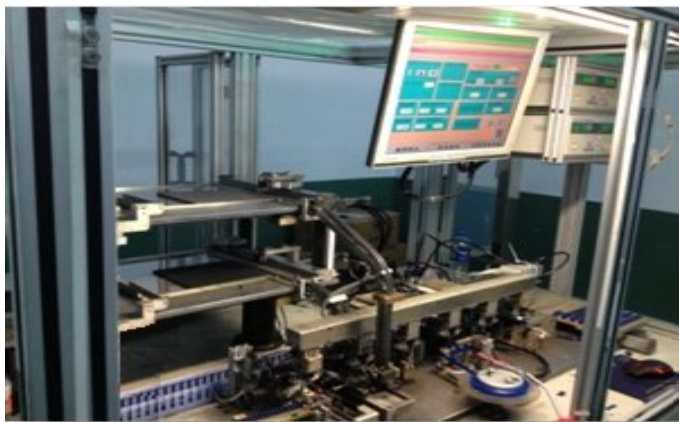


Winding

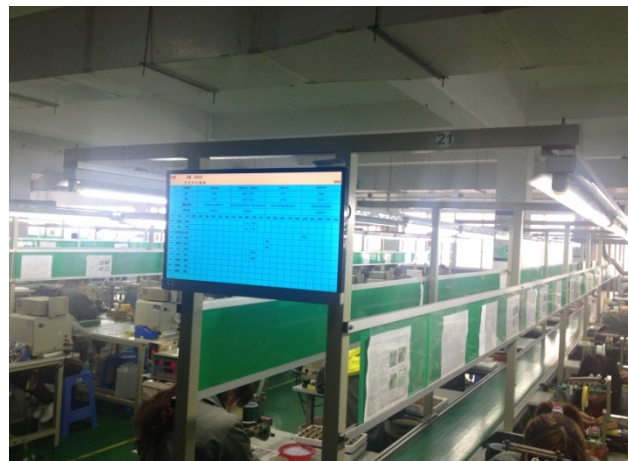


Bobbin

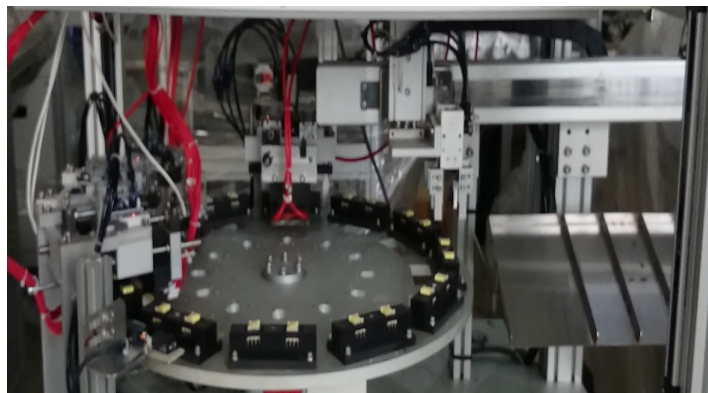




Assembly



Testing

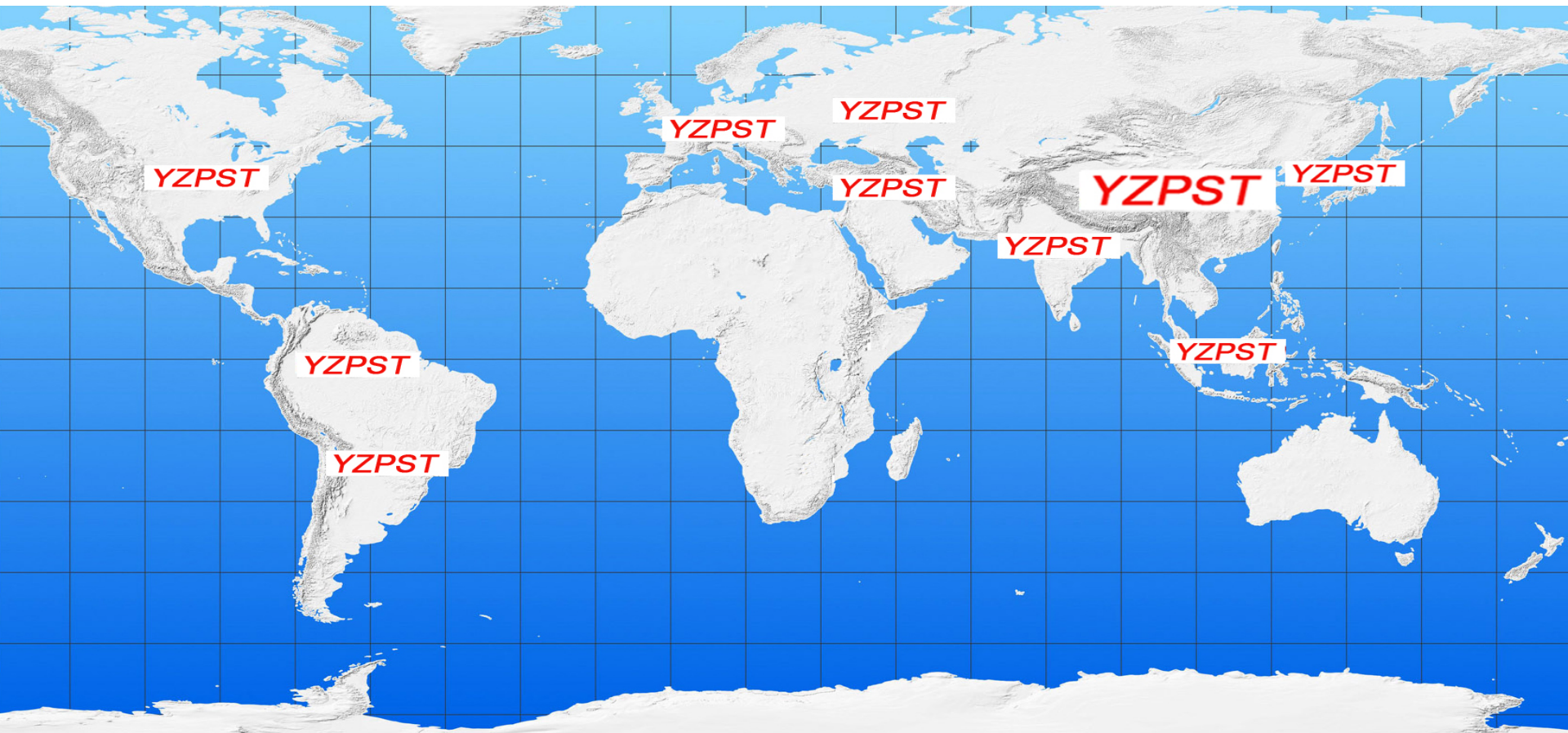




## 5、 Sales



# The Global Market



# Partners

## Customers

**PHILIPS**  
sense and simplicity

**OSRAM** 

 TCP

**Panasonic**  
ideas for life



**DELIXI**  
德力西

美的  Midea

**TOSPO**<sup>®</sup>



**BOSCH**  
Invented for life

**IKEA**

**SMA**

*Danfoss*

.....

**YZPST.**

YANGZHOU POSITIONING TECH CO.,LTD

## The Future

**Main the position in components for lighting industry.**

**Enlarge the capability with the new facility from material to the components.**

***This is our all new facility***





## 6、Corporate Culture

## Corporate Culture



YZPST

**Keep improving**

**--- Let's do it better !**

**NO FOCUSED WILL,  
NO PROFESSIONAL SKILL.  
NEVER STOP IN IMPROVING.**



THANK YOU

**YZPST**